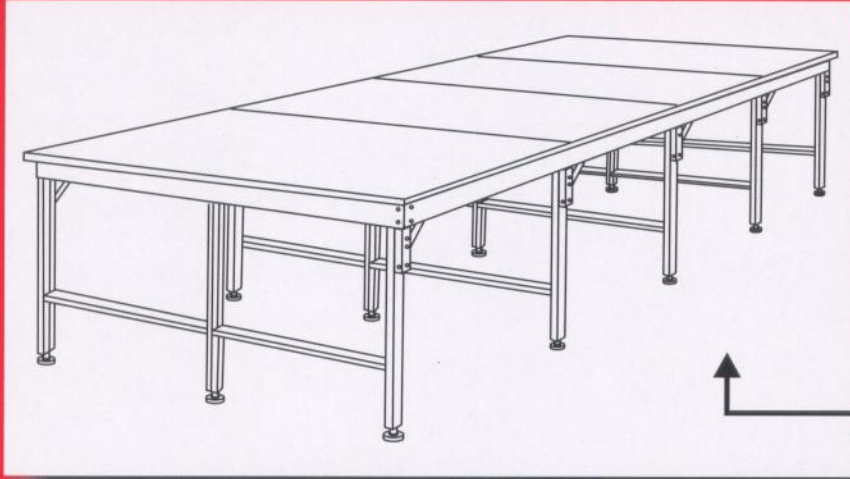
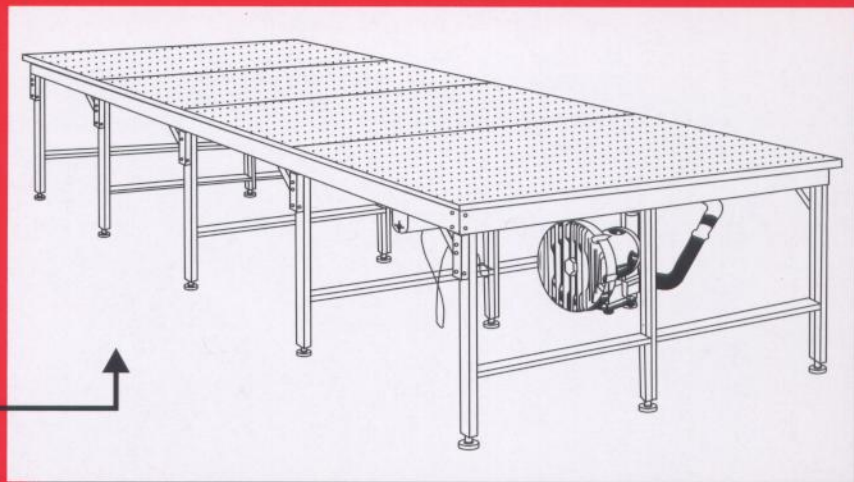


強焠組合式裁床

JOHNNY'S COMBINATION CUTTING TABLE



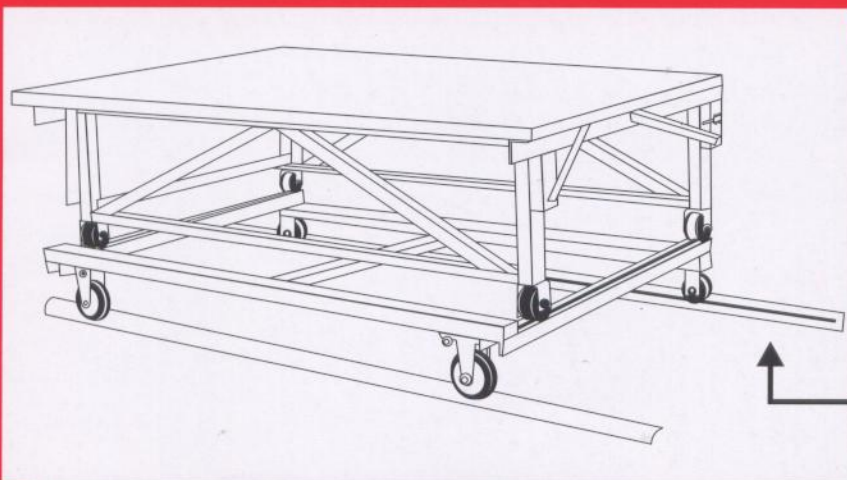
標準型
STANDARD



氣浮型

AIR FLOATATION VACUUM
CUTTING TABLE

(真空氣浮雙用型)
AIR FLOATATION VACUUM TYPE

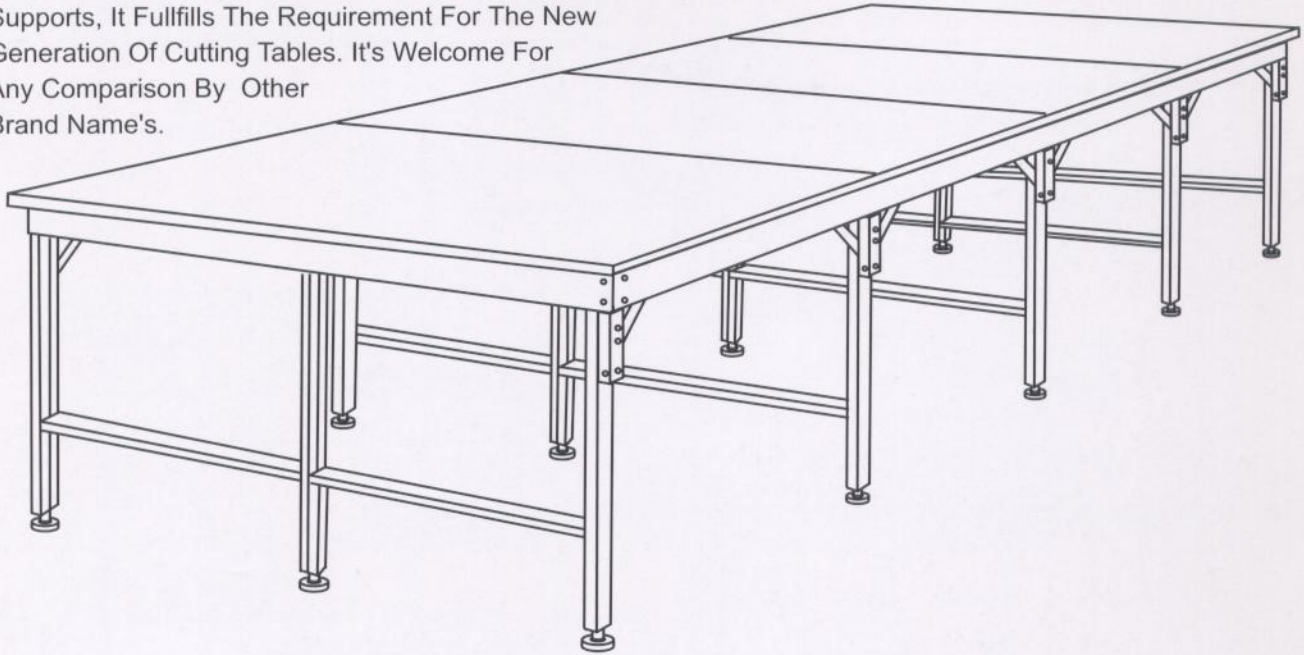


雙層專利移動台
DOUBLE DECKED MOVING
TABLE PATENTED

標準型 STANDARD TYPE

可因各廠商拉布機之需要而完整的配合
IT HAS THE FLEXIBILITY TO MATCH WITH OTHER
BRAND'S AUTO-SPREADING MACHINES
REQUIREMENT.

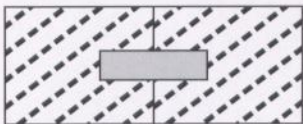
With The Strength And The Appearance Of The Leg
Supports, It Fullfills The Requirement For The New
Generation Of Cutting Tables. It's Welcome For
Any Comparison By Other
Brand Name's.



- ①表面超級美耐板或硬板運用特殊貼合，保證堅固耐用。
- ②力與美結構的腳架配合新時代“裁床”的需要，我們絕對歡迎任何嚴苛的比較。
- ③我們的設計專以大使用量上提供堅固和順暢尤以自動拉布機及電腦自動裁剪系統更適合。

- ①Special Plastic Laminate Finished/hard Board Finished With Special Glue, Guarantee Strong And Ever Long- Lasting.
- ②Together With The Refined Leg Supports, Our Cutting Tables Are Unbeatable By Any Other Brand's Cutting Tables.
- ③Our Cutting Tables Are Designed For Mass Production. Provide Strong And Smooth Movement Especially Good For Auto-spreading Machines And Automatic Computerized Cutting System.

咬合接法



提供精準的定位及保證床面永久的平整，不需另外加工或調整—此以無數點形成線至面的鎖定，使自動拉布機行進中決不產生移位或跳動。

Provide Exact Fit Sharp Position Which Guarantees Long- Lasting Flat And Smooth Of The Table's Surface. No Extra Adjustment Or Work Necessary. With The Technique Of Using Infinite Dots To Form Lines Until The Whole Area Is Transformed. It Makes The Auto- Spreading Machine Never Ever Out Of Track While Controlling.

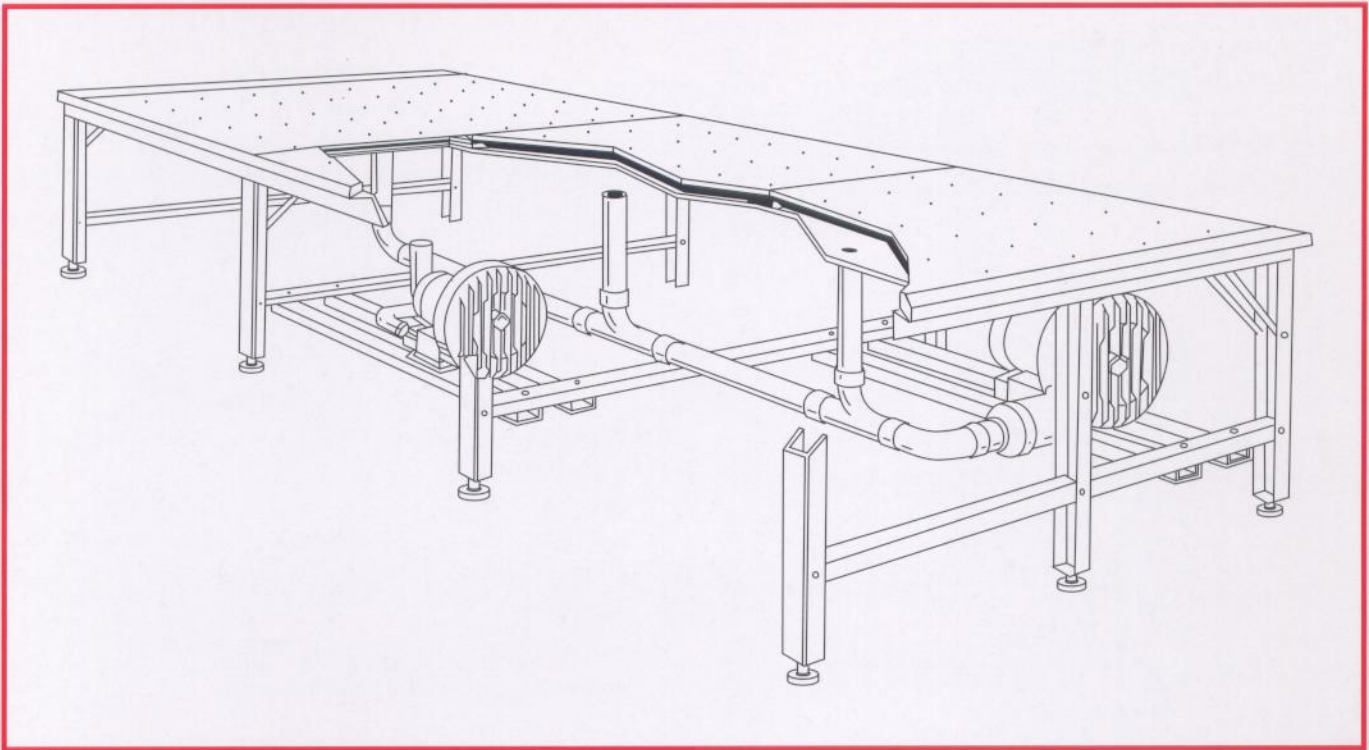
調整螺絲加膠墊



因應水平的要求，配合地形之變化所設計，橡膠墊更可吸收震動，保護地面。

Heavy-duty Nylon Leveling Glides Is Designed To Absorb Vibration And Protect The Floor Surface.

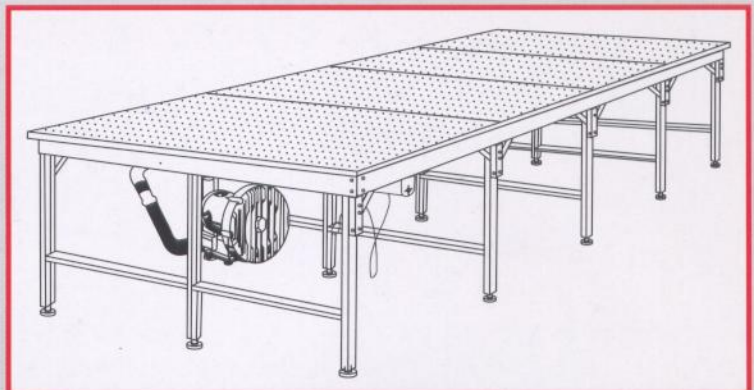
氣浮系統 AIR FLOAT SYSTEM



利用氣壓從表面的小孔噴出，減輕布料的重量，以便提供工作物的移動助力。
By using tops pre-drilled with flo/vac chamber pre-installed of the table's surface. It floats the heaviest spreads and slippery fabrics for easier movement.

- 特點：
- (1) 3.5HP~7.5HP為高壓馬達空氣流量比別廠產品大，噴射力更強。
 - (2) 操作簡單，最耐用，無須專業級的保養。
 - (3) 提供一年服務保證。
 - (4) 空氣通路使用“夾層”切割法，最流暢。

- Special features:
- (1) 3.5hp 7.5hp high-pressure motor, air circulation is a lot more than any other brands'.
 - (2) Easy to use; ever long-lasting. No special guarantee.
 - (3) Provide one-year after-sell service.
 - (4) By using the secret compartment切割法, the air passage is smooth for circulation.



氣浮/真空雙用型 AIR FLOATION VACUUM TYPE

- ① 利用更小更多的噴咀，因馬達的正逆轉產生吹力或吸力。
- ② 使用於泡棉的壓縮裁剪或容易滑動的布料及裁剪中的吸塵及氣浮動能。

- ① By using a lot of small-predrilled holes, the motor will produce suction and blowing strength.
- ② Air forced through predrilled holes in the table-top suspends heavy spreads for easier movement.

雙層拉布機移動檯

DOUBLE-DECKED PATENTED
MOVING TABLE

專利/Exclusive rights

雙層拉布機移動檯

中華民國/中華人民共和國專利

Double-decked patented moving table

R.O.C.Taiwan and Mainland China exclusive rights.

特點/Special features

- (1)省力－鋼材軌道，PU膠輪當然輕便。
- (2)快速－是裁床其中的一節，拉布機和夾布器一起移動，利用快速夾具固定，馬上可正常拉布。
- (3)省錢－只要有此移動台，每列裁床可少一節。等於移動檯免費。
- (4)準確－插梢式定位，不偏不倚，又平整。

- (1)With stainless-steel track and long-lasting/light-weighted plastic wheels.
- (2)With using together with the spline connector, it provides strength and alignment.
- (3)Save money. It can save one part of it by using this type of moving table.
- (4)Exact fit position. By using a positive lock at the sectional joint, it won't out of track.

